

The antenna AD-21/2512 is a wideband center-fed mobile antenna covering frequency range from 225 to 512 MHz and is intended for use with portable and mobile UHF radios. The antenna radiator is composed of the flexible goose neck and the flexible whip above the matching unit in the center.

The antenna radiator is attached to the separate magnet base with the integrated coaxial cable length of 4 meters.

The antenna can be used with the magnet base ADM-21/N or fixed base ADN-21/N, both with the integrated coaxial cable length of 4 meters and ended with the FME female connector. Various adapters from FME to N, BNC, UHF, SMA, etc. are available on request.

Frequency range	225 - 512 MHz
Impedance	50 ohms
VSWR	< 3,5:1 (see diagram)
Maximum power	20 W CW
Polarization	Vertical
Gain	-1 dBi (see diagram)
Radiation Pattern	Omnidirectional
Connector	N male
Height	615 mm
Weight - antenna	0.3 kg
Weight - magnet mount	0.7 kg
Weight - fixed mount	0.2 kg
Radome Diameter	20 mm
Temperature range	- 40....+70 °C

## VERSIONS:

**AD-21/2512-N:** UHF dipole antenna with N male connector

**AD-21/2512-F:** antenna **AD-21/2512-N** with the fixed mount **ADN-21/N** for mobile applications

**AD-21/2512-M:** antenna **AD-21/2512-N** with the magnet mount **ADM-21/N** for mobile applications



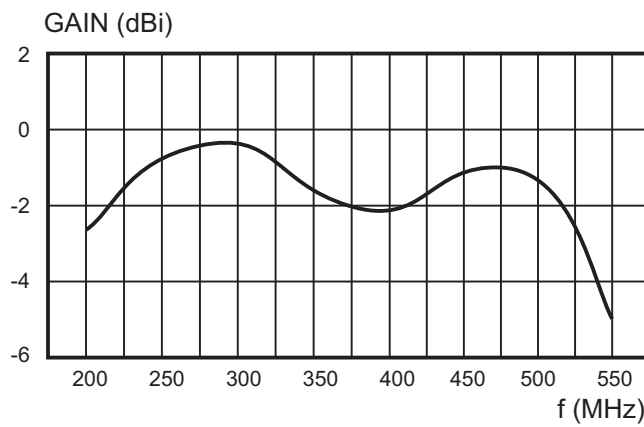
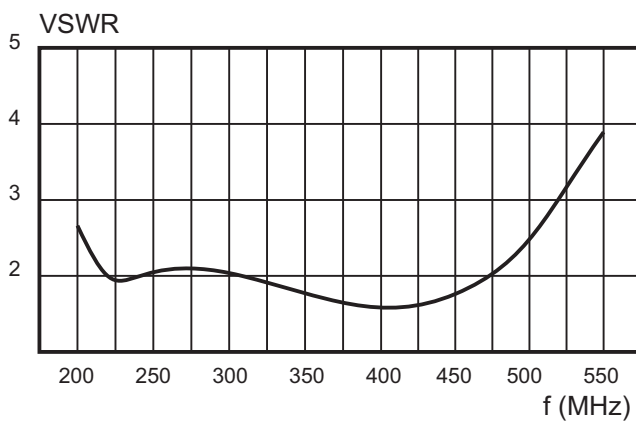
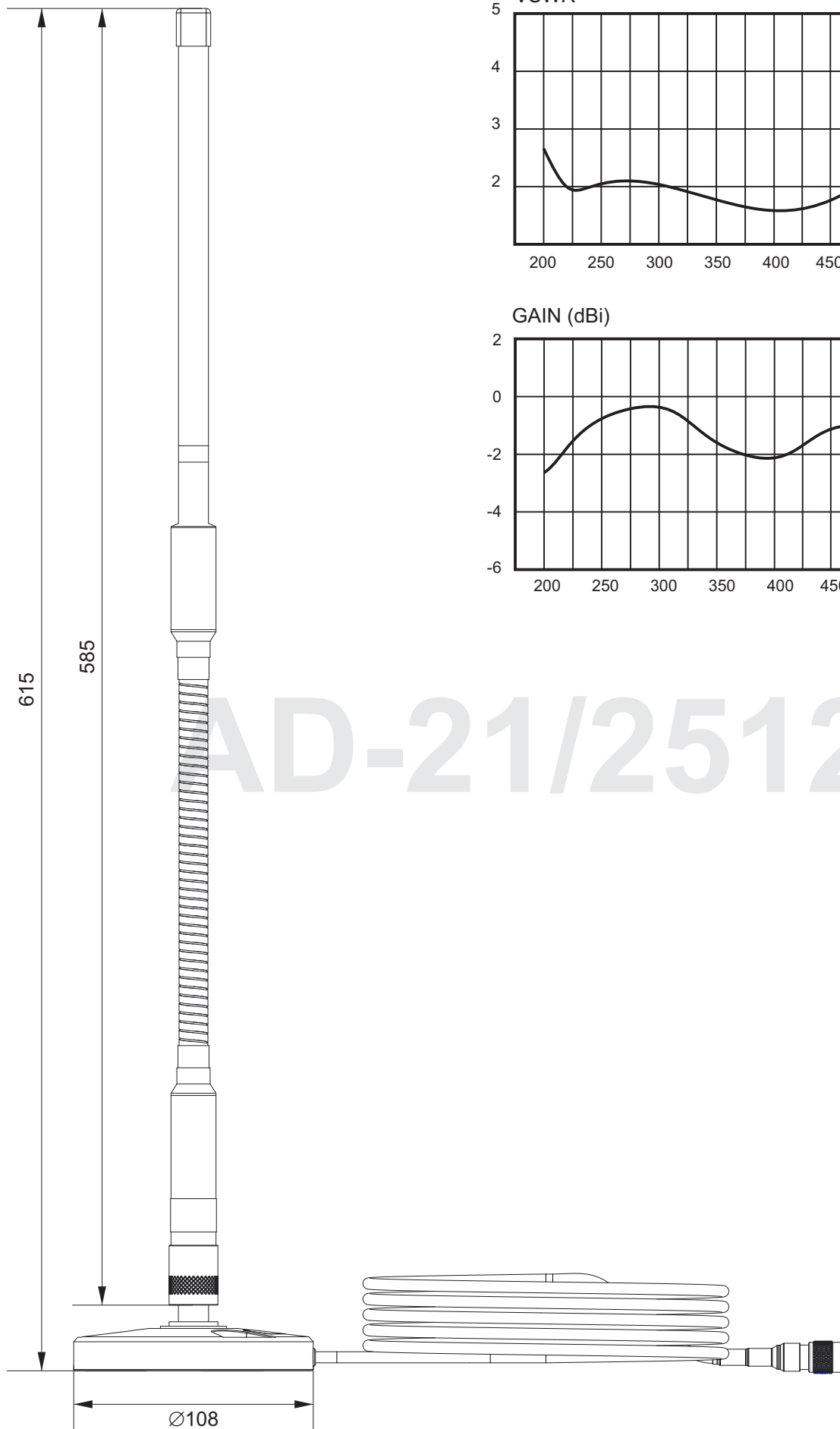
**Fixed mount  
ADN-21/N**



**Magnet mount  
ADM-21/N**



**Antenna  
AD-21/2512-M**



AD-21/2512