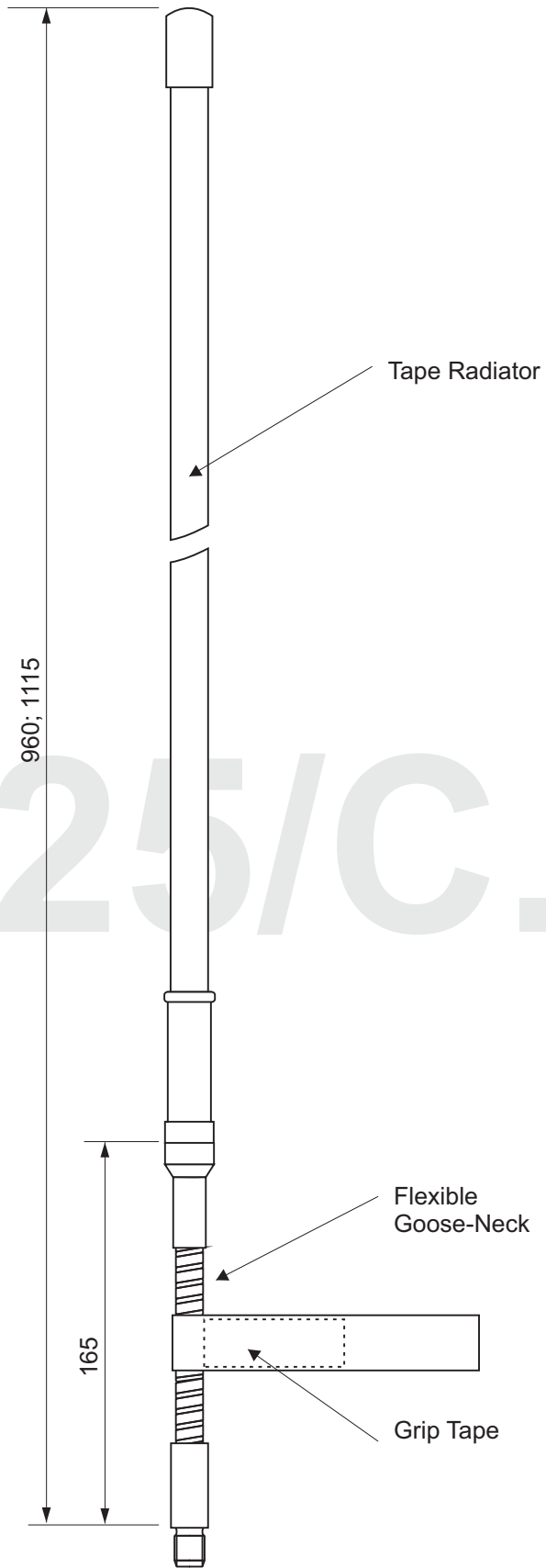
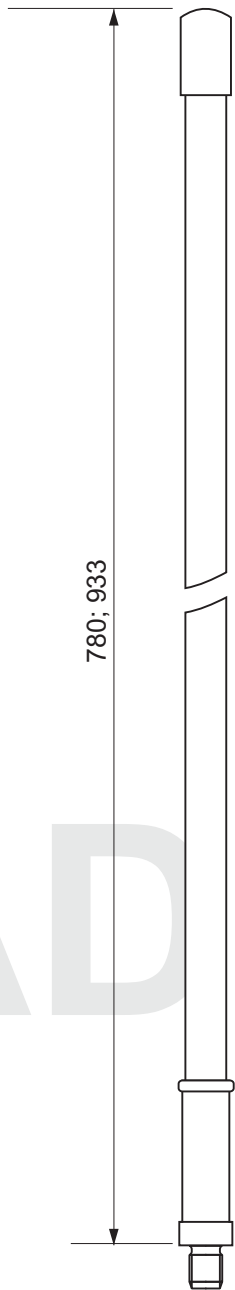


Family of antennas AD-25/C is intended for use with portable and manpack radios within VHF frequency band. The antenna radiator is composed of several multilayered tapes connected together to ensure good conductivity, flexibility and robust construction. The antenna consists also a special grip tape for packing when not in use.

Version of AD-25/C-GN contains also a special "goose-neck" enables vertical position of the antenna irrespective of position of radio set. Antenna is available in different heights (max. 1150 mm) and with different types of thread connectors (M8 as standard or by request).



	AD-25/C-760-M8	AD-25/C-920-M8	AD-25/C-GN-925-M8	AD-25/C-GN-1080-M8
Frequency range	30 - 90 (108) Mhz	30 - 90 (108) Mhz	30 - 90 (108) Mhz	30 - 90 (108) Mhz
Maximum power	25 W	25 W	25 W	25 W
Polarization	VER.	VER.	VER.	VER.
Connector	M8 (or by request)	M8 (or by request)	M8 (or by request)	M8 (or by request)
Height	780 mm	933 mm	960 mm	1115 mm
Weight	0,10 kg	0,11 kg	0,17 kg	0,18 kg
Temperature range	- 40....+70 °C	- 40....+70 °C	- 40....+70 °C	- 40....+70 °C



AD-25/C...