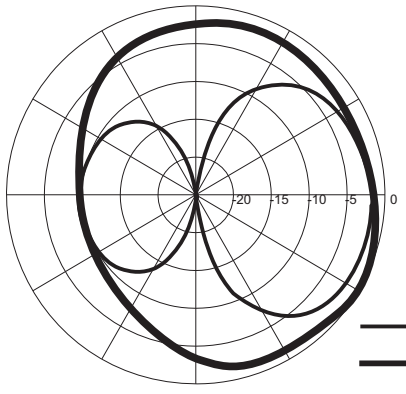
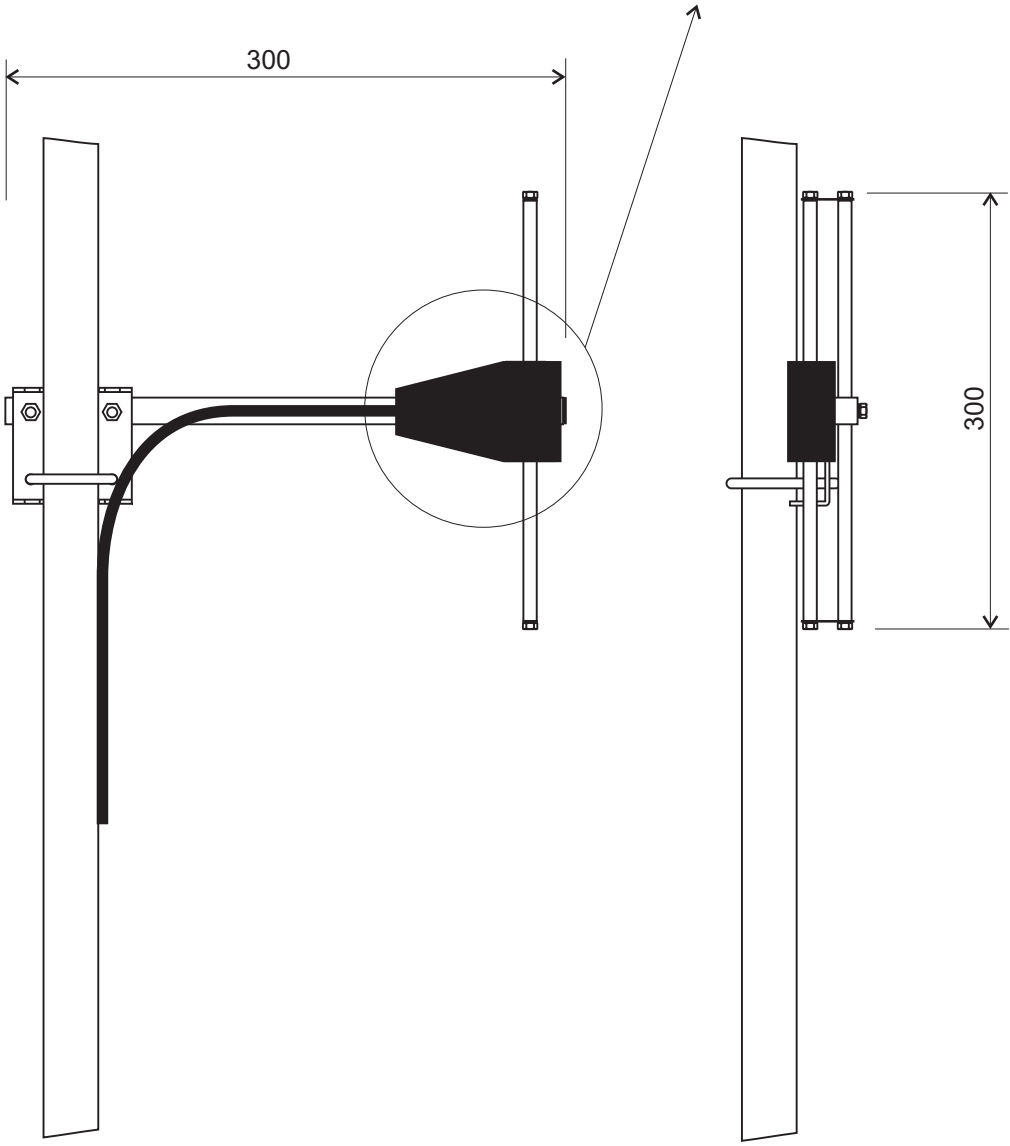
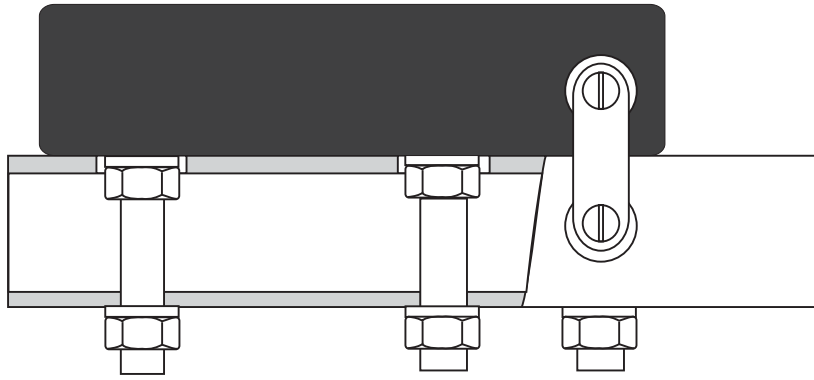


The family of wideband antennas AD-39 is composed of so called closed dipoles and is primarily intended for use as stationary antennas on VHF and UHF frequency range. The antenna is composed of a closed dipole mounted on supporting boom. The dipole has 1.5 m of coaxial cable type RG-213/U with N type connector. The antenna is appropriate for side mast mounting with 2 dBd gain together with offset radiation pattern. With different combinations of several antennas together with appropriate power dividers type APS-38 a different radiation patterns with different gains could be easily achieved depending on our signal coverage requirement. Dipoles are made of aluminum alloy rod with 10 mm of diameter and mounted on square aluminum boom together with mounting console enables the antenna to be mounted on antenna mast with external diameter up to 60 mm. All aluminium parts are transparent anodized enable long life and reliable work even in hardest climatic conditions.



Frequency range	390 - 480 Mhz
Impedance	50 ohm
VSWR	< 1,8
Gain	0 - 2 dBd
Polarization	VERT.
Maximum power	100 W
Connector	N female
Width	30 cm
Length	31 cm
Mass of antenna	2,0 kg



— E plane
 — H plane

