

Coaxial surge protectors against atmospheric discharges type ASP are intended for protection of personnel, radio and other equipment against direct, indirect lightning and other discharging influences (EMP, NEMP). Compared with the model ASP, the ASP-W is designed as waterproof coaxial feedthrough and intended to be mounted on properly grounded panel mount plate outside the object or building.

The protector is usable within frequency range from 0 (DC) to 1500 MHz (ASP and ASP-W) or from 1500 to 2500 MHz (ASP-WH). The models ASP and ASP-W are composed of metal nickel coated housing ended with two coaxial connectors (type N, BNC or TNC). A special gas filled surge arrester is inserted in with the function of voltage-dependent switch. As soon as the voltage applied to the arrester exceeds the spark-over voltage, an arc is formed in the hermetically sealed region within microseconds. After that the arrester is capable to do its function further again.

The model ASP-WH has protection enabled with short-circuited 1/4 wave stub.

VERSIONS:

ASP-01: connectors Nf – Nm

ASP-02: connectors TNCf – TNCm

ASP-03: connectors UHFm- UHFf

ASP-04: connectors Nf-Nf

ASP-05: connectors BNCf-BNCf

ASP-01/W: connectors Nf-Nm

ASP-04/W : connectors Nf – Nf

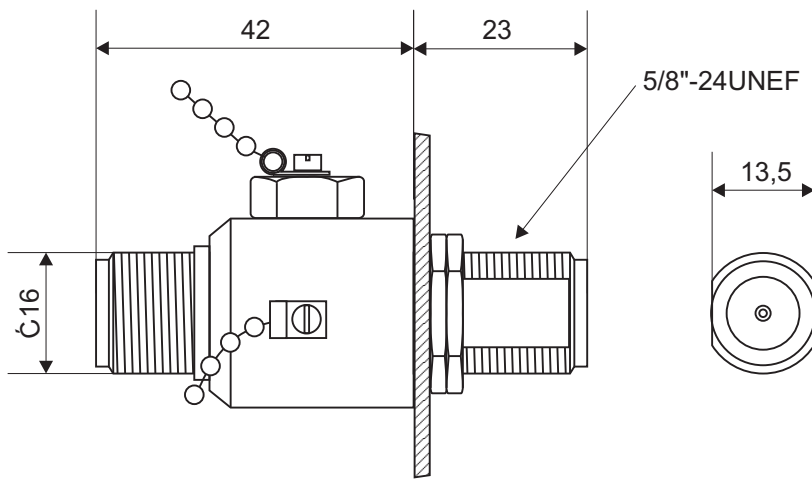
ASP-05/W : connectors BNCf – BNCf

ASP-46/W : connectors Nf – TNCf

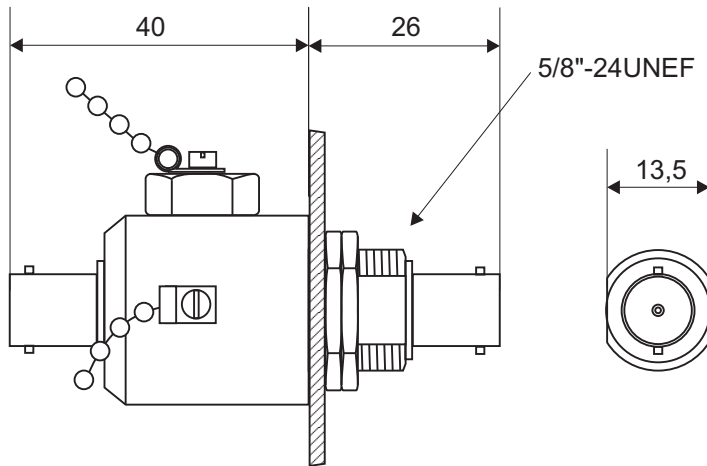
ASP-04/WH: connectors Nf-Nf

Frequency range	0-1500 MHz (connectors N) 0-500 MHz (connectors BNC, TNC) 1500-2500 MHz (ASP-WH)
Impedance	50 ohm
VSWR	< 1.35
Insertion loss	< 0.2 dB
Spark-over voltage	600 V (ASP-W)
Max. discharge current	10 kA (ASP-W) < 25 kA (ASP-WH)
Connector	see VERSIONS above
Weight	170 g
Max. panel thickness	8 mm
Operating temperature	-50 +80 °C

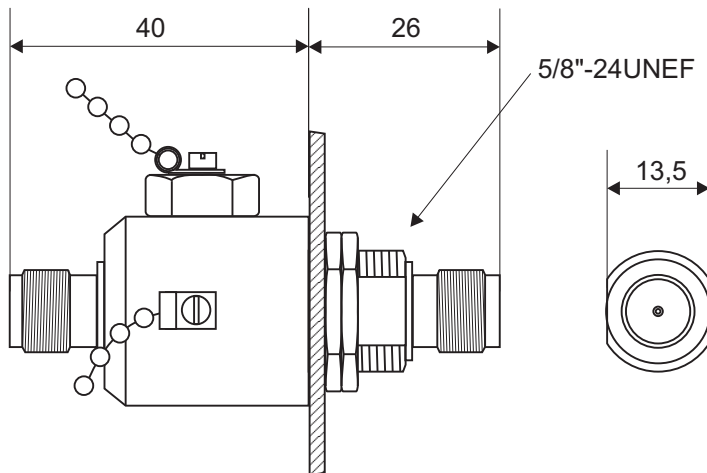




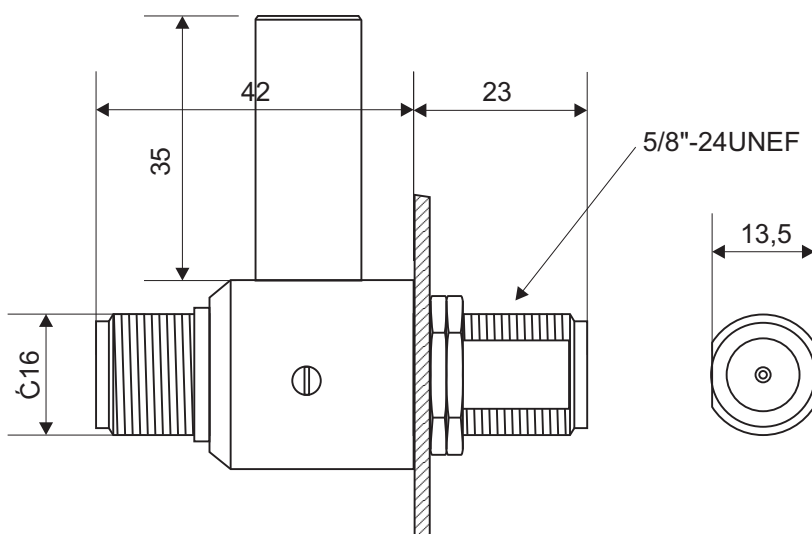
**ASP-04/W
(Nf - Nf)**



**ASP-05/W
(BNCf - BNCf)**



**ASP-06/W
(TNCf-TNCf)**



**ASP-04/WH
(Nf - Nf)**